



## NH40S Changeover Switch

### 1. General

#### 1.1 Application

Mainly used in the distributing and motor circuit which has high short-circuit current, and acted as main switch or master switch infrequently operated by hand, it is particularly suitable in the relative high class with drawable low voltage complete equipment. They provide safety isolation and protection against overcurrent for any low voltage electrical circuit.

#### 1.2 Standard: IEC/EN 60947-3.

#### 1.3 General characteristic

Full-enclosed structure  
Unique rolling insert type contact system.

### 2. Type designation

#### 2.1 Ordering information

NH40 - □ / □ C S □ □

With "F" : terminal protection type  
(only for 125~250A)  
Without "F" : without terminal protection

With "W" : the handle is operated outside  
the cabinet  
Without "W" : the handle is operated inside  
the cabinet

S: Changeover switch

C: lateral operation

Blank: front operation

3 represents three poles: 31 represents three poles  
with auxiliary, one open and one closed

32 represents three poles with auxiliary, two open  
and two closed

4 represents four poles: 41 represents four poles  
with auxiliary, one open and one closed

42 represents four poles with auxiliary, two open  
and two closed

Conventional thermal current

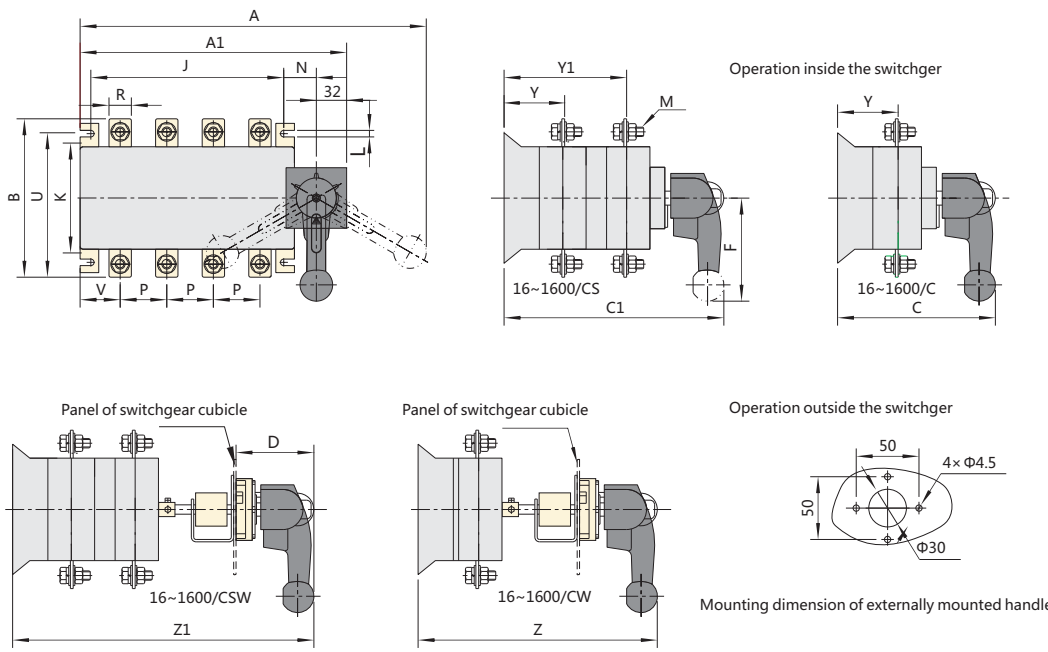
Series No.

2.2 Technical data

Conventional thermal current	16	32	40	63	80	100	125	160	200	250	315	400	630	
Associated fuse rating (A)	16	32	40	63	80	100	125	160	200	250	315	400	630	
Rated insulation voltage(V) Ui	800													
Rated current (A)	400V AC21B	16	32	40	63	80	100	125	160	200	250	315	400	630
	400V AC22B	-	-	-	-	-	-	125	125	200	250	315	400	630
	400V AC23A	-	-	-	-	-	-	125	160	200	250	315	400	630
	690V AC21B	16	32	40	63	63	63	125	160	200	250	315	400	500
	690V AC22B	-	-	-	-	-	-	100	100	160	160	200	250	315
	690V AC23A	-	-	-	-	-	-	50	63	70	80	125	160	200
Operation force (N)	30~50						40~60					65~100		

Conventional thermal current	1000	1250	1600	2000	2500	3150	
Associated fuse rating (A)	1000	1250	2×800	2×1000	2×1250		
Rated insulation voltage(V) Ui	800						
Rated current (A)	400V AC21B	1000	1250	1600	2000	2500	3150
	400V AC22B	1000	1250	1600	2000	2500	3150
	690V AC21B	800	800	1000	1600	1600	2000
	690V AC22B	800	800	800	1000	1000	1250
Operation force (N)	200~300						

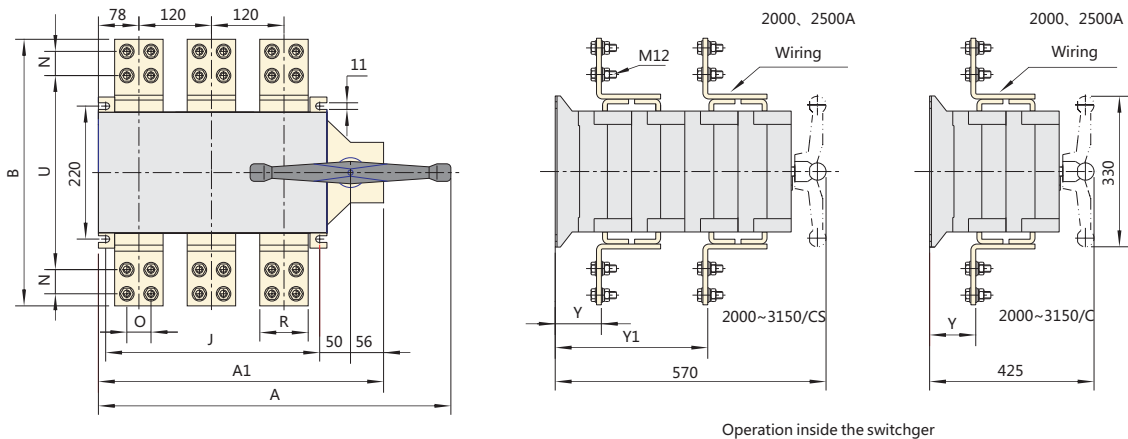
Mounting dimensions of NH40-16~1600/C and NH40-16~1600/CS



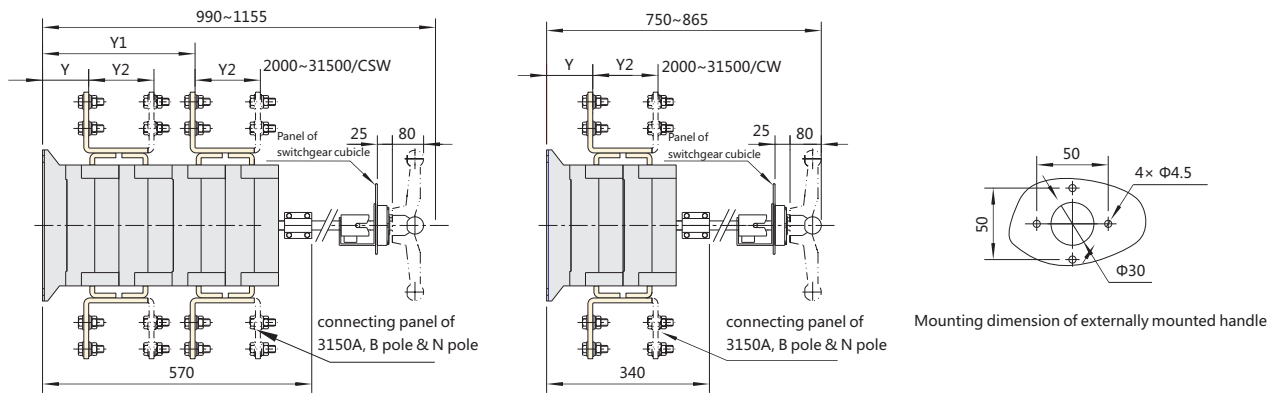
Mounting dimension of NH40 lateral operation and NH40 changeover switch disconnecter

Specification	NH40-XX/C NH40-XX/CS Overall and mounting dimensions (mm)																			
	A	A1	B	C	C1	D	F	J	K	L	N	P	R	U	V	M	Y	Y1	Z	Z1
16~100A/3	290	170	107	135	185	85	135	116	84	7	25	30	14	90	20	6	39	90	360~465	440~545
16~100A/4	290	170	107	135	185	85	135	116	84	7	25	30	14	90	20	6	39	90	360~465	440~545
125A/3	295	192	135	155	235	85	135	120	95	7	29.5	36	18	115	31	8	58	122	410~515	480~595
160A/3	295	192	135	155	235	85	135	120	95	7	29.5	36	20	115	29	8	58	122	410~515	480~595
125A/4	325	222	135	155	235	85	135	150	95	7	29.5	36	18	115	31	8	58	122	410~515	480~595
160A/4	325	222	135	155	235	85	135	150	95	7	29.5	36	20	115	29	8	58	122	410~515	480~595
200A/3	335	232	170	176	260	85	135	160	115	7	29.5	50	25	142	37	10	67	148	430~535	510~615
250A/3	335	232	170	176	260	85	135	160	115	7	29.5	50	25	142	37	10	67	148	430~535	510~615
200A/4	385	282	170	176	260	85	135	210	115	7	29.5	50	25	142	37	10	67	148	430~535	510~615
250A/4	385	282	170	176	260	85	135	210	115	7	29.5	50	25	142	37	10	67	148	430~535	510~615
315A/3	430	298	240	233	335	105	160	210	180	9	43	65	32	205	48	12	84	196	515~630	620~735
400A/3	430	298	240	233	335	105	160	210	180	9	43	65	35	205	48	12	84	196	515~630	620~735
630A/3	430	298	260	233	335	105	160	210	180	9	43	65	40	220	48	12	84	196	515~630	620~735
315A/4	490	358	240	233	335	105	160	270	180	9	43	65	32	205	48	12	84	196	515~630	620~735
400A/4	490	358	240	233	335	105	160	270	180	9	43	65	35	205	48	12	84	196	515~630	620~735
630A/4	490	358	260	233	335	105	160	270	180	9	43	65	40	220	48	12	84	196	515~630	620~735
1000A/3	580	472	316	280	424	105	165	353	220	11	50	120	60	240	78	12	108	253	605~720	750~865
1250A/3	580	472	356	280	424	105	165	353	220	11	50	120	70	246	78	12	108	253	605~720	750~865
1600A/3	580	472	356	280	424	105	165	353	220	11	50	120	80	246	78	12	108	253	605~720	750~865
1000A/4	700	592	316	280	424	105	165	473	220	11	50	120	60	240	78	12	108	253	605~720	750~865
1250A/4	700	592	356	280	424	105	165	473	220	11	50	120	70	246	78	12	108	253	605~720	750~865
1600A/4	700	592	356	280	424	105	165	473	220	11	50	120	80	246	78	12	108	253	605~720	750~865

Mounting dimensions of NH40-2000~3150/C and NH40-2000~3150/CS



Operation inside the switchger



Operation outside the switchger

Mounting dimension of NH40 changeover switch disconnect

Specification	NH40-XX/C NH40-XX/CS Overall and mounting dimensions (mm)										
Current	A	A1	B	R	J	U	O	N	Y	Y1	Y2
2000A/3	580	472	440	80	353	325	40	40	105	335	-
2500A/3	580	472	440	80	353	325	40	40	105	335	-
3150A/3	580	472	510	120	353	360	50	50	105	335	105
2000A/4	700	592	440	80	473	325	40	40	105	335	-
2500A/4	700	592	440	80	473	325	40	40	105	335	-
3150A/4	700	592	510	120	473	360	50	50	105	335	105

