



JZX-22F Miniature Power Relay

1. General

- 1.1 3A, 5A switching current
- 1.2 Various sockets available
- 1.3 With indicator to be selected
- 1.4 Full range of AC and DC coil
- 1.5 Certificate: CE, UL.

2. Type designation

JZX-22F (D) / 006 - 2Z 1 1

Installation: 1=top flange type;
2=lateral flange type;
blank=standard type

Termination: 1=PCB, 6=Plug-in

Contact arrangement 2Z=2C;
3Z=3C;
4Z=4C

Coil type: ~ = AC;
- = DC

Coil voltage : DC: 5V~220V;
AC: 6V~380V

Type:

D=with LED indicator;

B=With LED indicator and surge withstand(DC);

M=With arc suppression cover (only 4C);

Blank=Standard

Series

3. Technical data

Contact Arrangement		2C	3C	4C
Initial contact resistance	mΩ	100		
Contact material		Silver alloy		
Rated load(resistive)		5A/220VAC		3A/220VAC
		5A/28VDC		3A/28VDC
MAX. switching voltage	VAC	250		
	VDC	125		
MAX. switching current	A	5		3
Max. switching capacity	VA	1100		
	W	140		
Electrical endurance	Cycles	1×10 ⁵		
Machanical endurance	Cycles	1×10 ⁷		

4. Coil specification

AC

Rated voltage	Holding voltage	Must drop-out voltage	Operating range	Power consumption
6	≤80%Ue	≥20%Ue	(80%~110%)Ue	1.8VA
12				
24				
36				
48				
110				
127				
220				
230				
380				

DC

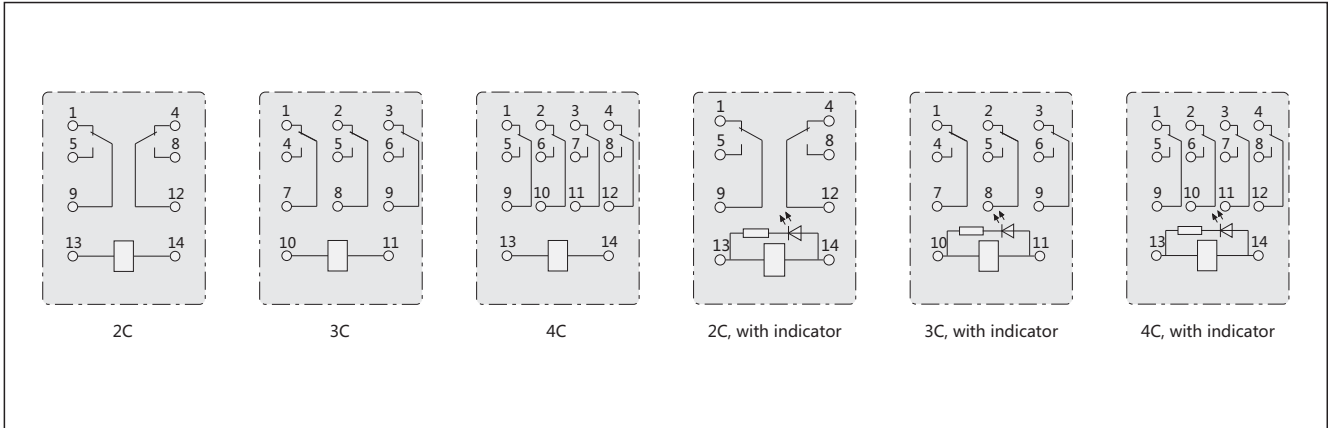
Rated voltage	Holding voltage	Must drop-out voltage	Operating range	Power consumption
5	≤75%Ue	≥10%Ue	(75%~110%)Ue	0.9W
6				
12				
24				
36				
48				
110				
127				
220				

5. Characteristics

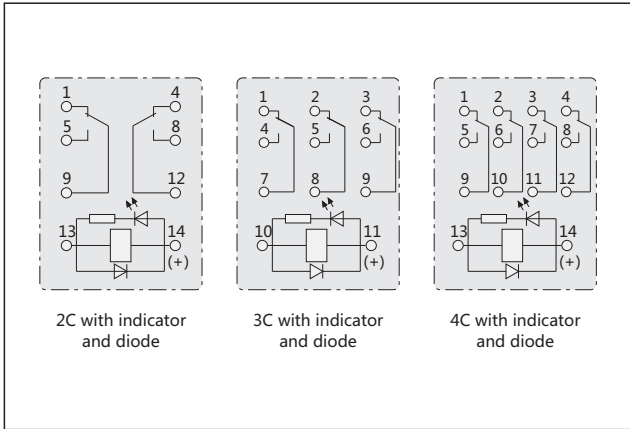
Insulation resistance(at 500VDC)		MΩ	100
Dielectric strength	Between coil & contacts		1500VAC
	Between open contacts		500VAC
Operation time		ms	≤25
Release time		ms	≤25
Shock resistance		m/s ²	100
Vibration			(10 ~ 55)Hz,1mm double amplitude
Humidity			90% RH at +20°C
Ambient temperature range		°C	-25 ~ +55
Termination			Plug-in, PCB
Dimension		mm	27.5×21.5×35.5

6. Overall mounting dimensions (mm)

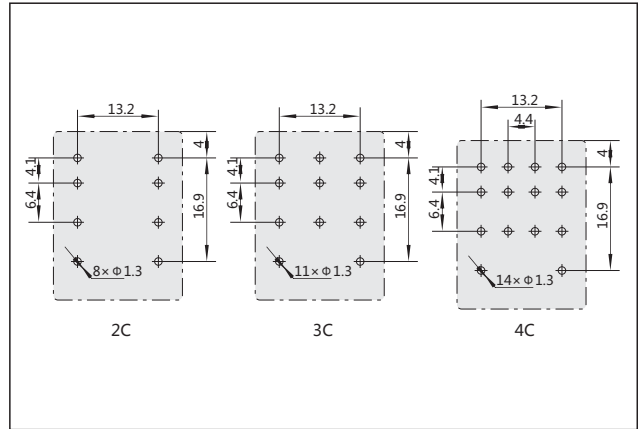
Internal connection(bottom view)



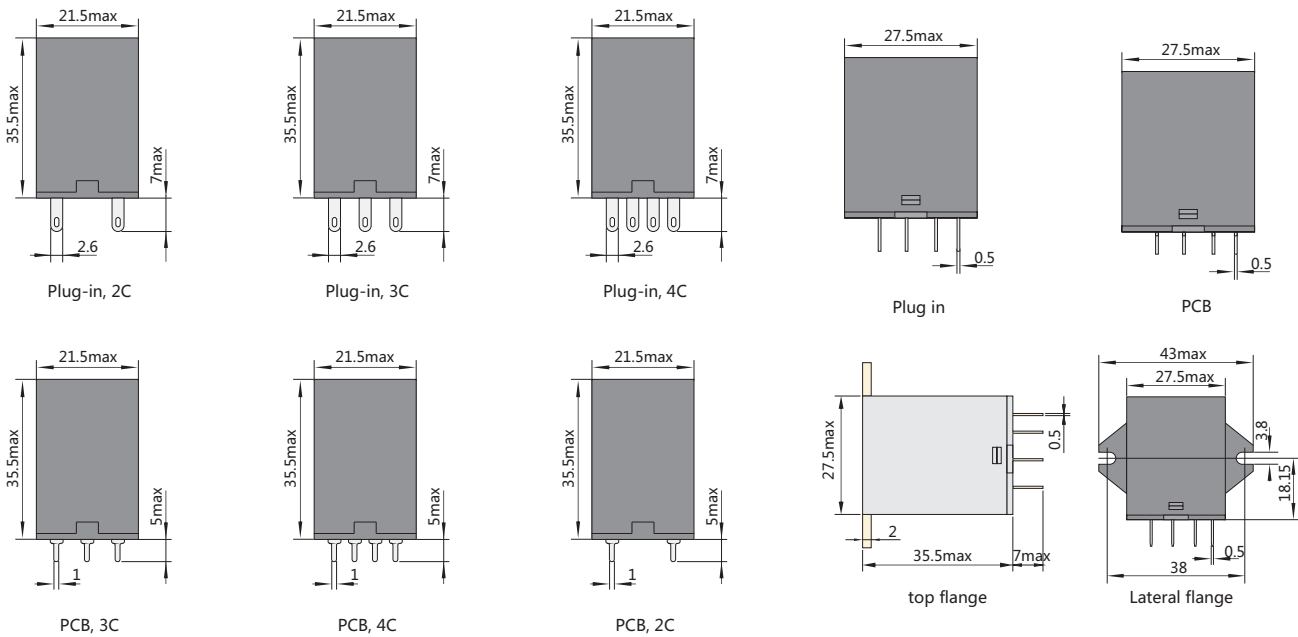
Internal connection(bottom view)



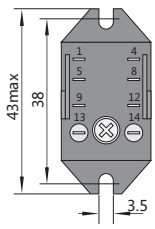
PCB mounting poles



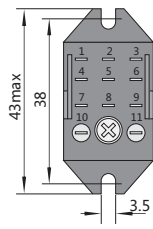
Dimensions



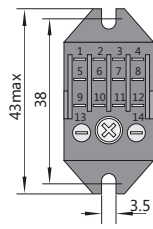
Left view



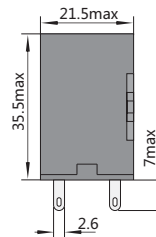
2C, front installation
(top flange)



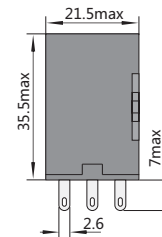
3C, front installation
(top flange)



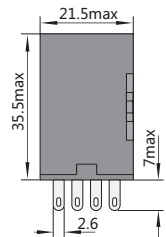
4C, front installation
(top flange)



2C, lateral flange



3C, lateral flange



4C, lateral flange

