



HH15-QP Switch Disconnecter

3. Type designation

3.1 Ordering information

HH15 - □ / □ □ QP

No fuse,
with connection contacts in parallel

No. of auxiliary contacts

0: no auxiliary contact

1: 1 pair of auxiliary contact

2: 2 pairs of auxiliary contact

No. of poles

2: 2 poles

3: 3 poles

4: 4 poles

Rated operating current

Series No.

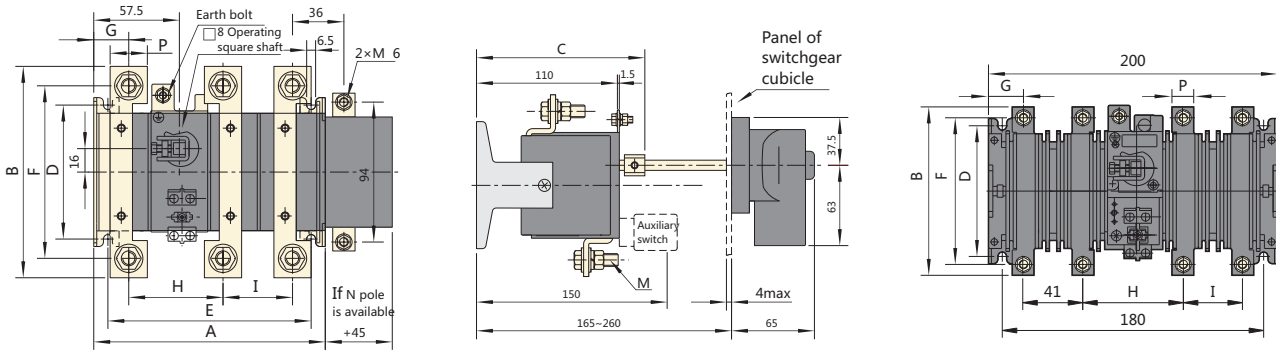
Note: This switch may only be operated outside the cabinet.

3.2 Technical data

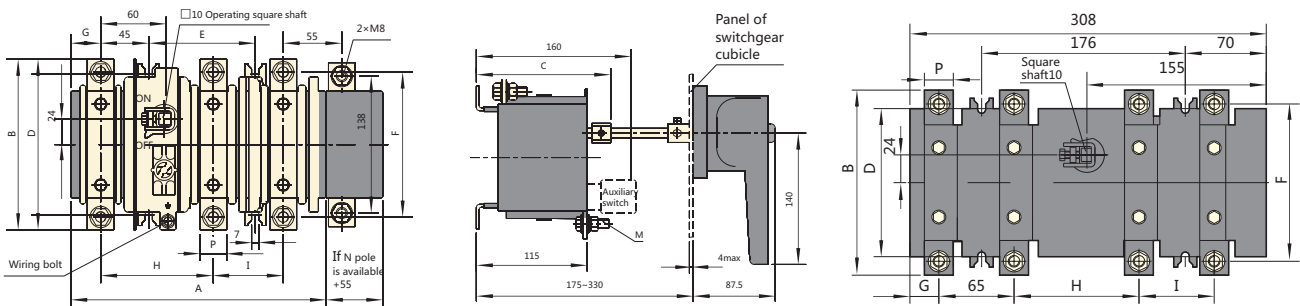
Specification	250	400	630	1000	1250	1600	2500	3150	
No. of poles	3, 4, 3+N				3, 3+N				
Rated insulating voltage(V)	Ue=400V,Ui=690V.Ue=690V,Ui=1000V.								
Rated operating voltage Ue(V)	AC400								
	AC690								
Conventional thermal current(A)	250	400	630	1000	1250	1600	2500	3150	
Rated operating current(A)	400V:AC-22B	250	400	630	1000	1250	1600	2500	3150
	690V:AC-21B	250	400	630	1000	1250	1470	2500	2500
	690V:AC-22B	250	400	500	630	800	800	-	-
Rated Short-circuit making capacity (Peak)(kA)	39	50	60	60	85	85	130	130	
Rated Short-time withstand cuent(kA)	8	12.8	25	32	50	50	80	80	
Mechanical life	15000	12000	12000	12000	1000	1000	500	300	
Electric Life	1000	1000	300	150	100	100	100	100	
Operating torque (N·m)	16	30	30	40	45	60	75	90	
Conventional thermal current of auxiliary contact Ith 400, AC-15(A)	5								

3.3 Dimension (mm)

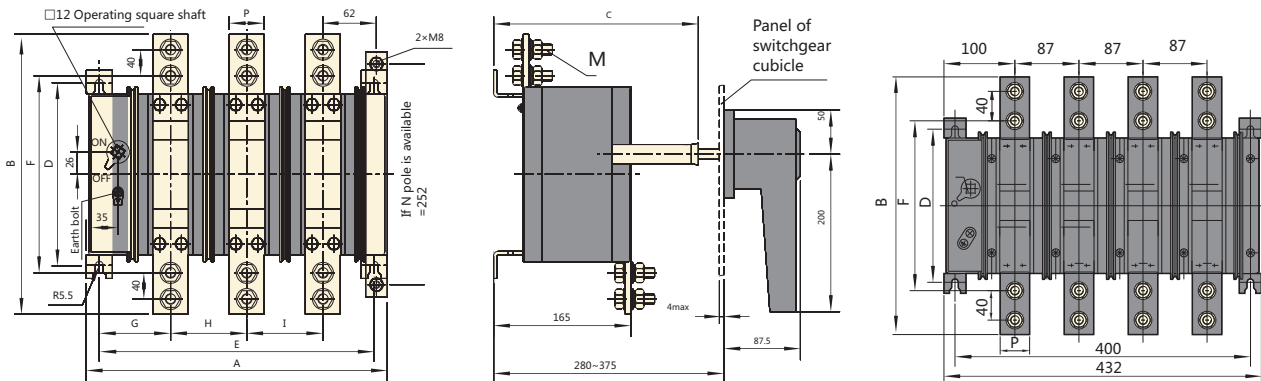
HH15-250/QP



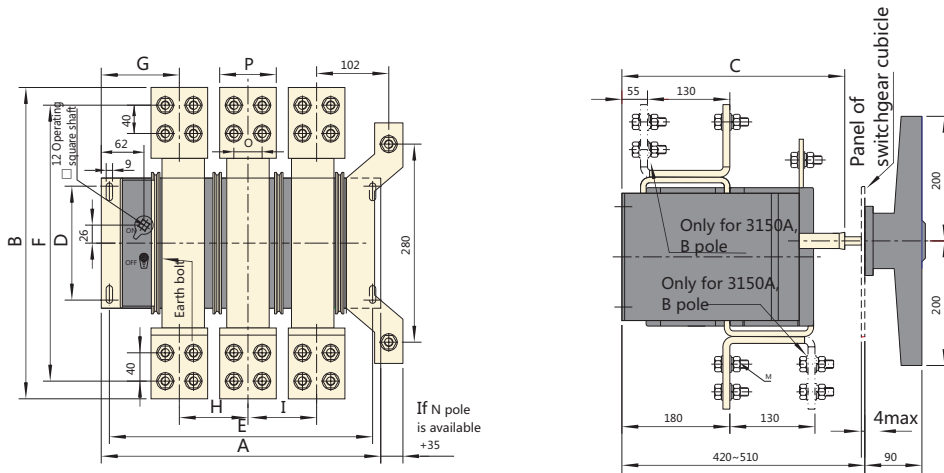
HH15P-400~1000/QP



HH15P-1250/QP, 1600/QP

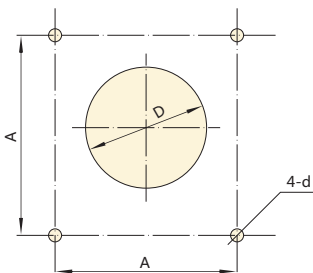


Overall & Installation Dimension of HH15P-2500/QP, 3150/QP



Specification	A	B	C	D	E	F	G	H	I	M	O	P
HH15-250/QP	155	143	133	90	135	118	22.5	65	45	10	-	25
HH15-400/QP	240	170	142	130	100	140	27	106	65	10	-	25
HH15-630/QP	240	170	142	130	100	140	27	106	65	10	-	25
HH15-1000/QP	240	218	142	130	100	178	27	106	80	12	-	40
HH15-1250/QP	345	350	188	208	315	230	82	87	87	12	-	40
HH15-1600/QP	345	350	188	208	315	230	82	87	87	12	-	50
HH15-2500/QP	395	440	342	152	372	390	115	97	97	12	40	80
HH15-3150/QP	395	470	342	152	372	420	115	97	97	12	50	100

3.4 Boring dimension (mm)



Specification	A	D	d
HH15-250/QP	65±0.2	$\Phi 42^{+4}_0$	$\Phi 4.5^{+0.5}_0$
HH15-630~1000/QP HH15P-1250~3150/QP	88±0.2	$\Phi 63^{+2}_0$	$\Phi 5.5^{+0.5}_0$

